

## OPTICELL INSIDE PLANT CHANNEL SYSTEM

A flexible fabric pathway system designed specifically for transporting cables efficiently in data centers, drop ceilings, and areas that require adaptable reconfigurations. The integrated support structure and multiple pathways reduce the steps required to place cables, minimizing time for installation.

### KEY FEATURES

- Flame-retardant material
- Configured with 3 cells to support network flexibility and growth
- Preinstalled galvanized support wire – strong and flexible
- Preinstalled color-coded pulling tapes to speed cable installation
- Works with support systems from an extensive group of manufacturers

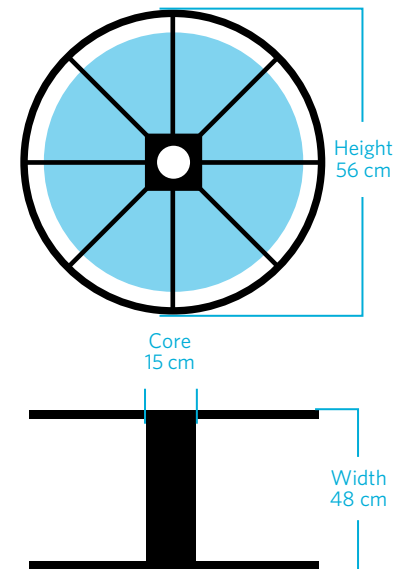


### BENEFITS

- Easy to carry on the job site, delivered on reels
- Flexible material, adaptable to non-linear paths
- Add or remove cable bundles easily
- Up to 24 CAT6 cables per cell
- No cutting edges, no damage to the cables
- Better airflow, limits cable over-heating

### COST COMPARISON WITH CABLE TRAYS

- More than 2 times faster to install
- Only 1/10 of the tooling costs
- 70% less overall installation costs\*



### OPTICELL INSIDE PLANT CHANNEL SYSTEM PACKAGING

PACKAGE TYPE	MATERIAL OF CONSTRUCTION		EMPTY REEL WT.	MAXIMUM REEL CAPACITY	EXACT DIMENSIONS		
	Flange	Core			Height	Width	Core
Plastic Reel	Plastic	Plastic	2 kg	200 m	56 cm	48 cm	15 cm

All dimensions are approximate, are intended to be used for reference purposes and are subject to change. Prior to shipping, all reels are wrapped with a UV protective film.

\*Based on a 30 m straight path installation. Compared with a 150 mm X 55 mm metallic wire cable tray.